



MIR-254-PE

## MIR

Cooled Incubators

123 L / 238 L

### All-round performance

MIR Cooled Incubators are suitable for a wide range of applications. These incubators offer precise, repeatable control of programmable temperatures and lighting patterns, which are essential to biological research and environmental studies.

### Repetitive Operation & Operability

Precise, repeatable control of programmable temperatures and lighting patterns. A program can be set to repeat for a minimum of one time to a maximum of 98 times or continuous repeat.

### High-precision Temperature Control

Precise temperature control with a high precision microprocessor combined with a heater PID and compressor on/off system. The temperature control ranges from  $-10^{\circ}\text{C}$  to  $+60^{\circ}\text{C}$ .

### Intuitive Operation

A LCD control panel with touch keyboard displays temperature and time, and allows easy setting of parameters. Operation data can be auto-recorded and graphically displayed.



### Diverse experiments

Ideal for experimentation during night time and holidays, experimentation that requires settings to be changed, micro-organism culture and preservation.



### Medium dessication prevention

A DC fan is designed to be aimed obliquely upward to prevent direct air flow contacting samples. This reduces medium drying.



### Wide temperature control range from $-10^{\circ}\text{C}$ to $+60^{\circ}\text{C}$

With a wide temperature range from  $-10^{\circ}\text{C}$  to  $+60^{\circ}\text{C}$ , MIR Cooled Incubators allow a full range of precise experiments including environmental tests to micro-organism cultures and plant germination tests.

# MIR Cooled Incubators



MIR-154-PE

## Improved experimentation of repetitive operation and operability

### Programmable operation function with microprocessor control

Combining flexible temperature (H), light on/off (L) and time control (T), a maximum 12-step plus constant operation or max. 12-step repeating operation can be programmed according to the experimentation requirements. A program can be set to repeat for a minimum of one time to a maximum of 98 times or continuous repeat. The Cooled Incubators also offer the choice of timer mode, 24-hour clock mode and timer mode to suit user experiments. Up to 10 programs can be stored for convenient retrieval and set-up of frequently run experiments. Individual programs can be combined using the join function. Constant operation mode without step operation is also available.

## Energy savings

In addition to a microprocessor-controlled high efficient heater output and compressor on/off, an updated control program and low heat-emission inner chamber fan have been incorporated to allow high energy saving operation over a wider range of ambient environments.

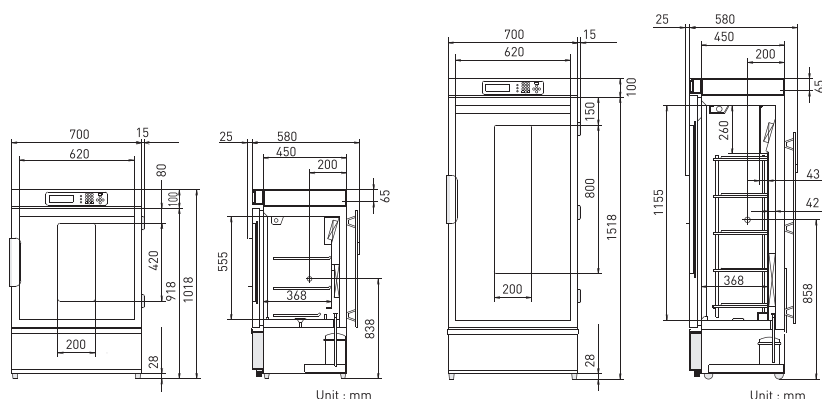
## Light timer control

On/off programmed timer control for standard equipped LED light (15W x 1pc) is available. Optional light addition kit (MIR-L15) can add three more LED lights into the chamber ceiling.

Model Number		MIR-154-PE	MIR-254-PE
<b>Dimensions</b>			
External dimensions (W x D x H) <sup>1)</sup>	mm	700 x 580 x 1018	700 x 580 x 1618
Internal dimensions (W x D x H)	mm	620 x 368 x 555	620 x 368 x 1088
Volume	liters	123	238
Net weight	kg	78	108
<b>Performance</b>			
Temperature control range & fluctuation	°C	-10 ~ +60 (AT; +5 ~ +35, no load), ±0.2 with Heater PID control (SV 50), ±1.5 with Compressor control (SV 5) PID control: 7°C above AT	
Temperature uniformity	°C	±0.5°C (set: 37°C, ambient temp.: 20°C, no load)	
<b>Control</b>			
Temperature sensor		Thermistor	
<b>Refrigeration</b>			
Compressor		150	250
Refrigerant		R-1234yf	R-1234yf
Refrigerant weight	g	90	125
Refrigerant GWP		0.501	0.501
Total Refrigerant weight (CO <sub>2</sub> equivalent)	t	0.00005	0.00006
Cooling method		Forced air circulation	
Insulation material		PUF	
Insulation thickness	mm	40	40
<b>Construction</b>			
Exterior material		Painted steel	
Interior material		SS SUS-304	
Outer door	qty	1	
Outer door lock		-	MIR-LP option
Reversible door		Y	
Shelves	qty	3	5
Max. load per shelf	kg	20	
Max. total load	kg	61	100
Access port	qty	1	
- position		Left side	
- diameter	∅ mm	40	
Interior LED lamp		1, [3 with MIR-L15-PW <sup>2)</sup> option]	
<b>Alarms</b> (R = Remote Alarm, V = Visual Alarm, B = Buzzer Alarm)			
High temperature		V-B-R	
Low temperature		V-B-R	
Door open		V-B	
<b>Electrical and Noise Level</b>			
Power supply	V	230	
Frequency	Hz	50	
Noise level <sup>3)</sup>	dB(A)	41	44
<b>Options</b>			
Stacking kit		MIR-S154SB-PW	-
Door padlock bracket		MIR-LP-PW	
Additional LED kit		MIR-L15-PW	
Door window blanking plate		MIR-154BP-PW	MIR-254BP-PW

Appearance and specifications are subject to change without notice.

<sup>1)</sup> Exterior dimensions of main cabinet only, excluding handle and other external projections  
<sup>2)</sup> MIR-L15-PW operates between +2°C and +50°C  
<sup>3)</sup> Nominal value, Background noise 20dB



MIR-154-PE - 123 liters

MIR-254-PE - 238 liters

**PHC Europe**

A Member of PHC Group



# WolfLabs

**Pricing on any accessories shown can be found by keying the part number into the search box on our website.**

The specifications listed in this brochure are subject to change by the manufacturer and therefore cannot be guaranteed to be correct. If there are aspects of the specification that must be guaranteed, please provide these to our sales team so that details can be confirmed.

**[www.wolflabs.co.uk](http://www.wolflabs.co.uk)**

**Tel : 01759 301142**

**Fax : 01759 301143**

**[sales@wolflabs.co.uk](mailto:sales@wolflabs.co.uk)**

Please contact us if this literature doesn't answer all your questions.