



FRONTIER™ 5707

Multi Centrifuge



Compact Low-Speed Centrifuge with a Modern Touch-Wheel Interface Ideal for General Lab Applications

Frontier™ 5707 is a reliable compact low-speed general purpose centrifuge. Depending on the kit it might include a pre-installed rotor with different capacity: Angle rotor which can handle 8 x 15 ml RB or 4 x 15 ml FA tubes or Angle combi rotor which can handle 4 x 15 ml or 4 x 50 ml RB/FA tubes. Both rotors are suitable for round and conical bottom tubes. Designed with convenient operation in mind, Frontier™ 5707 features a uniquely designed splash-proof front panel with Touch-Wheel control on an intuitive interface.

Unique Features:


- Designed for ease of operation, the Frontier™ 5707 features convenient control on a protective splash-proof interface, which allows for responsive operation—even when wearing gloves.
- Enclosing all its functionalities within a small footprint, the Frontier™ 5707 saves valuable space on the lab bench.
- The kit including 8 x 15 ml RB or 4 x 15 ml FA tubes angle rotor is ideal for general applications, and together with accessories it can be adapted for use with smaller tubes such as 7, 5 and 1.5/2 ml perfect for blood tubes (or clinical) and research applications. Combi rotor is used with 15 ml and 50 ml RB/FA tubes and it is ideal for cell culture application.

FRONTIER™ 5707 Multi Centrifuge

Specifications


Model	FC5707+R05	FC5707+R09
Speed Range	200 rpm – 6 800 rpm; 10 rpm/set	
Maximum RCF	4 445 x g; 10 x g/set	
Rotor in the Package	Rotor Angle 8 x 15 ml RB or 4 x 15 ml FA	Rotor Angle 4 x 50 ml RB/FA or 15 ml RB/FA
Temperature Range	Air Cool	
Running Time	Quick Spin, 10 sec to 99 hr 59 min 59 sec, or continuous	
Noise Level	≤ 60 dB(A)	
Acc/Dec Levels	10/10	
Allowable Density at Maximum Speed	1.2 g/ml	
Allowable Kinetic Energy	845 Nm	1341 Nm
AC Power	230 V ~ 50/60 Hz	
Voltage Fluctuation	± 10%	
Current Consumption	0.8 – 0.4 A	
Power Consumption	50 W	
Dimensions (W x D x H)	277 x 356 x 236 mm	
Net Weight (with rotor)	11.5 kg	
Shipping Dimensions (W x D x H)	370 x 470 x 340 mm	
Shipping Weight (with rotor)	13 kg	
Environment	For indoor use only	

*RB-round bottom, FA-conical bottom

	Order No.	30472305
	Description	Rotor Angle 8 x 15 ml RB or 4 x 15 ml FA
	Compatible with	FC5707
	Max. Speed	6 800 rpm
	Max. RCF	4 445 x g

Accessories

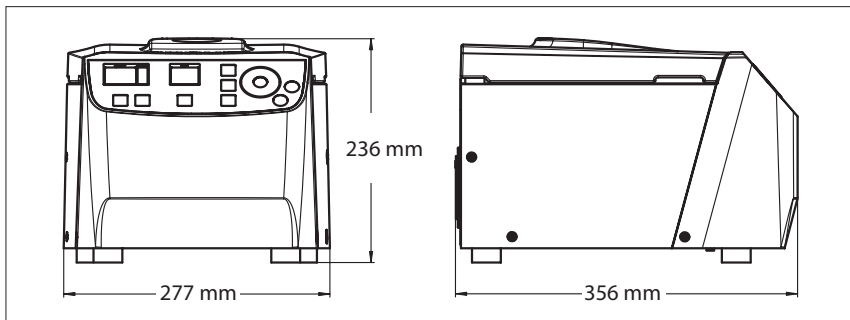
Order No.	Description	Vol./Tube	Diameter	Tube Type	No. of Tubes/Rotor
Without Adapter	Rotor Angle 8 x 15 ml RB or 4 x 15 ml FA	15 ml	17 mm	Round bottom	8
				Conical bottom	4
30130889	Adapter 1 x 7 ml D13 mm Vac/Sar 2/pk	7 ml	13 mm	Round bottom / Vacutainer® / Sarstedt®	8
30130890	Adapter 1 x 5 ml D13 mm Vac/Sar 2/pk	5 ml	13 mm	Round bottom / Vacutainer® / Sarstedt®	8
30130886	Adapter 1 x 1.5/2.0 ml D11 mm 6/pk	1.5/2.0 ml	11 mm	Microtube	8
83041036	Adapter 1 x 1.1-5 ml D15 mm Vac/Sar 2/pk	1.1 – 5ml	15 mm	Vacutainer® / Sarstedt®	8

	Order No.	83041009
	Description	Rotor Angle 4 x 50 ml RB/FA or 15 ml RB/FA
	Compatible with	FC5707
	Max. Speed	6 800 rpm
	Max. RCF	4 445 x g

Accessories

Order No.	Description	Vol./Tube	Diameter	Tube Type	No. of Tubes/Rotor
Without Adapter	Rotor Angle 4 x 50 ml RB/FA or 15 ml RB/FA	50 ml	29 ml	Round bottom / Conical bottom	4
		15 ml	17 ml	Round bottom / Conical bottom	4

Outline Dimensions



Other Standard Features and Equipment

Ten acceleration and ten deceleration rates, pre-selection of running time from 10s to 99h 59min or continuous, audible signal at the end of each run with melody options, quick spin for short runs

Compliance

- **Product Safety:** IEC/EN 61010-1; IEC/EN 61010-020
- **Electromagnetic Compatibility:** IEC/EN 61326-1 Class B, Basic environments
- **Compliance Mark:** CE

80775550_B 20230804 © Copyright OHAUS Corporation





WolfLabs

Pricing on any accessories shown can be found by keying the part number into the search box on our website.

The specifications listed in this brochure are subject to change by the manufacturer and therefore cannot be guaranteed to be correct. If there are aspects of the specification that must be guaranteed, please provide these to our sales team so that details can be confirmed.

www.wolflabs.co.uk

Tel : 01759 301142

Fax : 01759 301143

sales@wolflabs.co.uk

Please contact us if this literature doesn't answer all your questions.