

ROTARY EVAPORATOR RE 212 FW-G



Technical features

- Easy manual height adjustment
- Intuitive operation with digital display
- Wide rotation speed (5–315 rpm).
- Evaporation flask can rotate in two directions
- Long lasting vacuum seal
- Two compact heating baths with digital display available (Water bath standard, optional oil bath 10–180 °C)
- Small footprint
- Possibility to place the heating bath on the right or left side
- Protective cover for heating bath optional available

Technical data

MATERIAL FOR PARTS CONTACTING THE MEDIA

Glass parts	Glass coated
Vapor tube seal	Chemical resistant

PARAMETERS OF EVAPORATION FLASK

Size of evaporation flask [ml]	Maximum 2000
Rotational speed of evaporation flask [1/min]	5–315

ELECTRICAL PARAMETERS

Nominal voltage [V]	200–230 VAC
Frequency [Hz]	50–60
Maximum operating current [A]	5–6
Protection class	IP 20

OTHER DATA

Total weight [kg]	13,5
Dimensions W x H x D [mm]:	554 x 745 x 365 (including water bath)
Vacuum and cooling connections	GL14 - 10 mm

HEATING BATH

Heating bath temperature [°C]	10–90
-------------------------------	-------

CONTROL UNIT

Type of display	Digital Black/White
-----------------	---------------------

ACCESSORIES	ID
Protective cover for heating bath	340996
Heating bath BO312-G (for oil, 10–180°C)	on request

SPARE PARTS	ID
Vapor tube NS29/32	345304
Refill valve (Glass + PTFE tube)	345305
Vacuum seal FKM/PTFE, 2 pieces	345306
Condensor set, with mounting	345308
Power adaptor (Base frame)	345311



Protective cover heating bath

Refill valve

Combination possibilities



Rotary Evaporator®
RE 212 FW-G

LABOPORT®
N 820 G



Rotary Evaporator®
RE 212 FW-G

LABOPORT®
SC 840 G

VACUUM PUMP SYSTEM LABOPORT® SC 820 G



Technical features

- Automatic, accurate recognition and monitoring of the boiling point using the integrated ramp function
- No solvent library needed
- High recovery rates even with low boiling point solvents
- Remote-controlled for safe operation from outside closed fume hoods
- Easy, intuitive control via touchscreen display and precise rotation knob
- Four operating modes for nearly all common lab applications
- Integrated rotation speed control for precise vacuum control
- Integrated gas ballast valve
- Environmentally friendly
- ATEX compliant to (Ex) II 3/-G Ex h IIB+H2 T3 Gc internal atmosphere only

Technical data

Flow rate [m³/h] at atm. pressure	1,2
Flow rate [l/min] at atm. pressure	20
Ultimate vacuum [mbar abs.]	6,0
Operating pressure [bar]	0,1
Voltage [V]	100 – 240
Frequencies [Hz]	50/60
Protection class	IP30
Power P ₁ [W]	60
Operating current [A]	0,35 (240 V AC) 0,66 (100 V AC)
With thermal switch and power fuse	

REMOTE-CONTROL UNIT/CONTROLLER

Connectivity	USB-A (Bluetooth) USB-Mini/USB-C (Cable connection)
Power supply in remote-control operation	Via integrated batteries or using the wireless charger included
Battery operating life	max. 8 h
Operation of the device	Touchscreen/ Rotary/push knob
Weight [kg]	Controller: 0,69 Docking station: 0,26
Battery type	Nickel-metal hybrid (Ni/Mh)

MATERIALS

Pump head	TFM™ PTFE
Diaphragm	PTFE-coated
Valves	FFPM

OTHER DATA

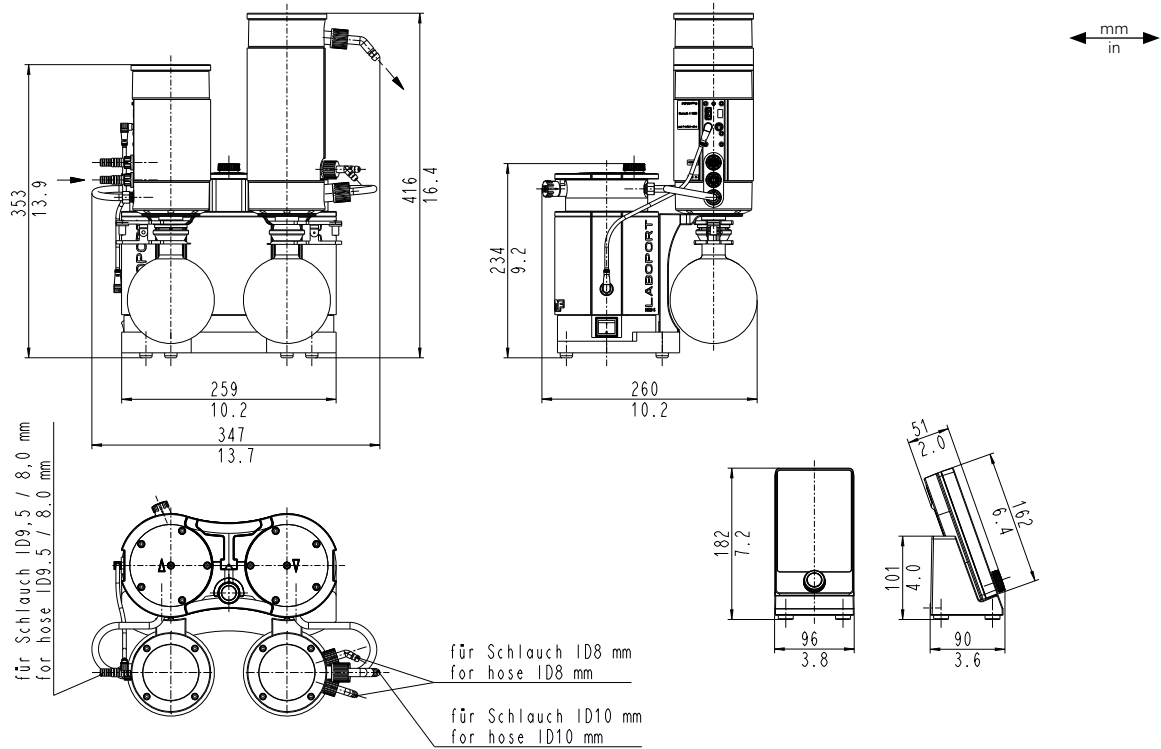
Weight [kg]	13,35
Hose connections	Inlet: For hose ID 8 – 9,5 Outlet: For hose ID 10
Dimensions W x H x D [mm]	Vacuum pump system: 347 x 416 x 260 Controller: 162 x 96 x 51 Docking station: 96 x 88 x 101
Permissible media and ambient temperature [°C]	+5 bis +40

SPARE PARTS

SPARE PARTS	ID
Spare parts kit pump N 820 G	331051
Spare parts kit System SC 820 G	338823

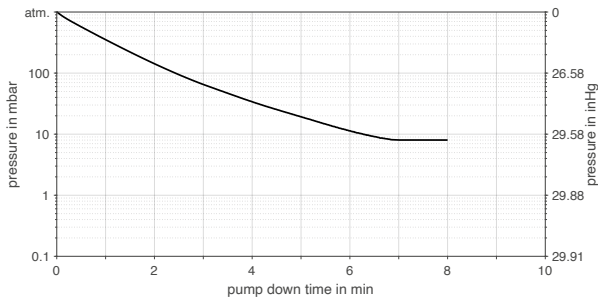
Dimensions

SC 820 G

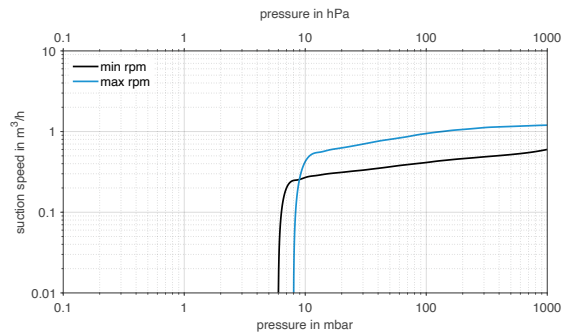


Performance Characteristics

PUMP DOWN TIME FOR 20 LITER RECEIVER



SUCTION PUMPING SPEED AT MIN./MAX. MOTOR SPEED



ACCESSORIES	ID
Separator flask	047729
High performance condenser with pressure relief valve	114855
Hose connector with O-ring (FPM)	323609
Hose connector PP (for hose ID 10)	026237
Screw connection cap red, GL 18 (for hose connector ID 026237)	025980
Hose connector PP (for hose ID 8)	025981

Screw connection cap red, GL 14 (for hose connector ID 025981)	025982
Key for hose connector	316279
Hose-BGR for Separator flask (1x for SC 820 G)	329998
Hose BGR for high performance condenser (1x for SC 820 G)	317157
Docking station controller	336784
Battery pack controller	339004

Modular expandable
From basic pump to system





WolfLabs

Pricing on any accessories shown can be found by keying the part number into the search box on our website.

The specifications listed in this brochure are subject to change by the manufacturer and therefore cannot be guaranteed to be correct. If there are aspects of the specification that must be guaranteed, please provide these to our sales team so that details can be confirmed.

www.wolflabs.co.uk

Tel : 01759 301142

Fax : 01759 301143

sales@wolflabs.co.uk

Please contact us if this literature doesn't answer all your questions.