

# VACUUM CONTROL UNIT VC 900

DATA SHEET E 320



## Technical features

- Control of the vacuum application
- Separate control unit with pressure sensors and two-step controlled valve to be placed independently from the operating unit
- Easy to use

## Technical data

### OPERATING UNIT

Housing materials	Plastic
Power supply	Power cord, cable length 150 cm
Protection class	IP 30
Mains voltage [V]	100 - 240
Frequency [Hz]	50/60
Operating current [A]	max. 1.0
Dimensions W x H x D [mm]	101 x 181 x 67
Accuracy of measurement	± 1 mbar
Measuring limit [mbar abs.]	upper: 1100 lower: 0
Interface	Mini-USB

### CONTROL UNIT

Dimensions W x H x D [mm]	155 x 109 x 60
Hose connections:	
- for gas in	ID 10, PVDF
- for gas out	ID 10, PVDF
- for venting	ID 4, nickel-plated brass

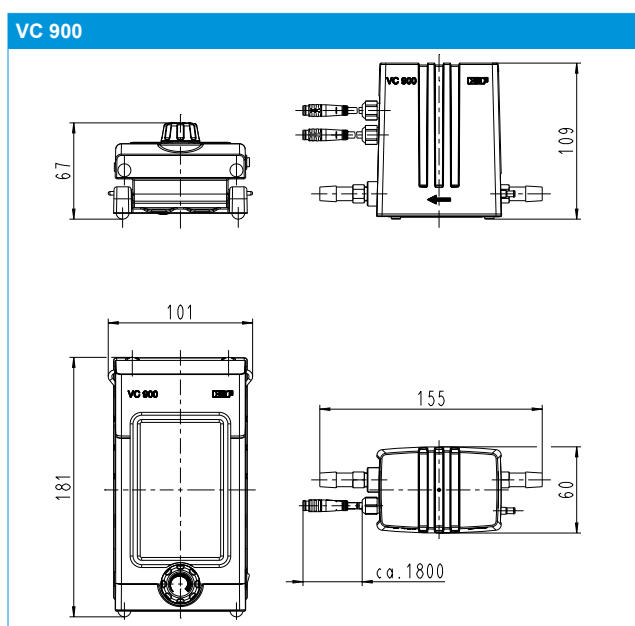
### OTHER DATA

Total weight [kg]	1.2
Permissible media and ambient temperature [°C]	+10 to +40

### INSTALLATION

Operating unit can be used as bench-top device providing 3 different display positions
Operating unit can be mounted at the wall

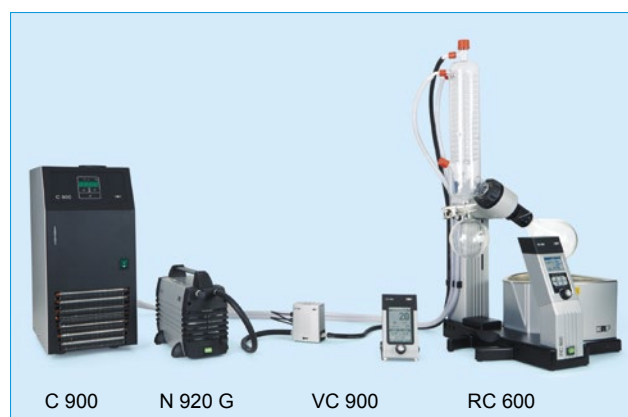
## Dimensions



### ACCESSOIRES

		ID
Connection cable for N 920 G interface	2 meter	307757
	5 meter	307758

## Combination possibility





# WolfLabs

**Pricing on any accessories shown can be found by keying the part number into the search box on our website.**

The specifications listed in this brochure are subject to change by the manufacturer and therefore cannot be guaranteed to be correct. If there are aspects of the specification that must be guaranteed, please provide these to our sales team so that details can be confirmed.

**[www.wolflabs.co.uk](http://www.wolflabs.co.uk)**

**Tel : 01759 301142**

**Fax : 01759 301143**

**[sales@wolflabs.co.uk](mailto:sales@wolflabs.co.uk)**

Please contact us if this literature doesn't answer all your questions.