

# VACUUM PUMP SYSTEM SC 920 G

DATA SHEET E 296



## Technical features

- Automatic, accurate recognition and monitoring of the boiling point using the integrated ramp function
- High recovery rates even with low boiling point solvents
- Integrated gas ballast valve
- Speed-controlled
- Quiet operation
- Optimized suction capacity
- PPS pump head combined with PTFE-coated diaphragm are ideal for aggressive/corrosive gases and vapors

## Technical data

|  |  |
|--|--|
| Flow rate [m <sup>3</sup> /h] at atm. pressure | 1.26                                       |
| Flow rate [l/min] at atm. pressure             | 21   |
| Ultimate vacuum [mbar abs.]                    | 2.0<br>< 5.0 with gas ballast valve in use |
| Nominal voltage [V]                            | 100 – 240                                  |
| Frequency [Hz]                                 | 50 – 60                                    |
| Power P <sub>1</sub> [W]                       | max. 135                                   |
| Operating current [A]                          | max. 1.7                                   |
| With overcurrent protection and main fuse      |  |

## OTHER DATA

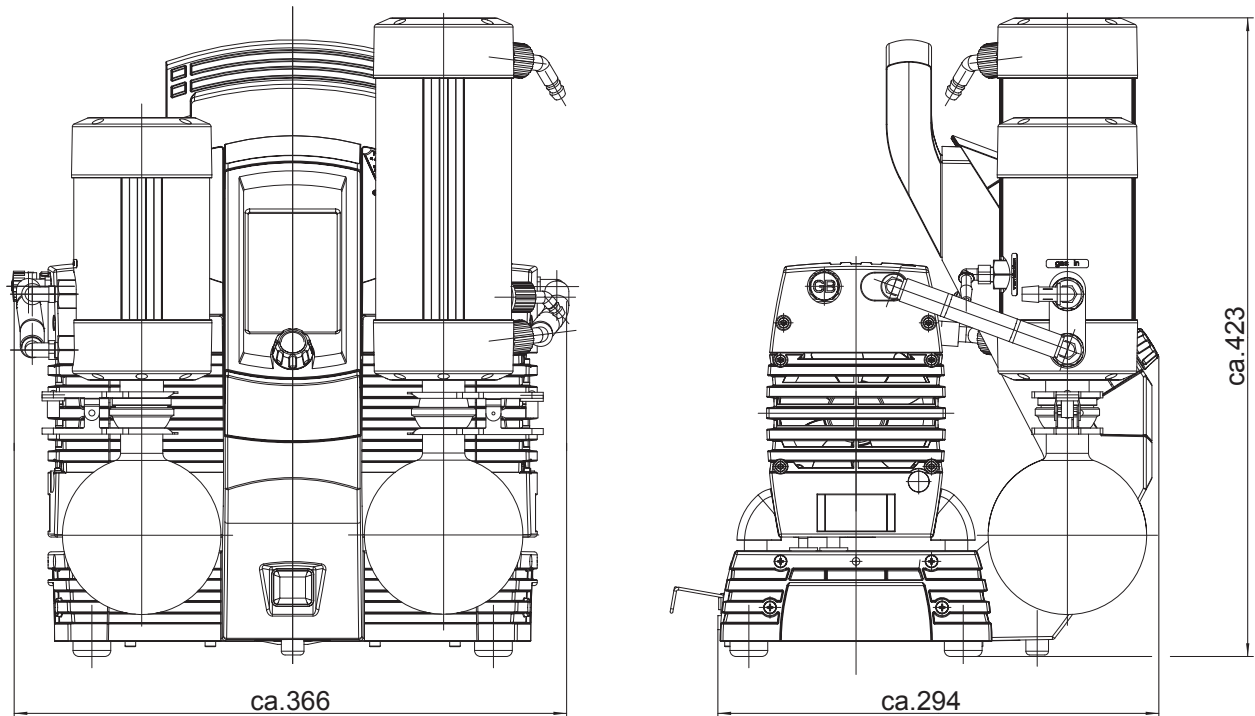
|  |                 |
|--|-----------------|
| Total weight [kg]                              | 15.2            |
| Hose connections:                              |                 |
| – pneumatic                                    | ID 10           |
| – for coolants                                 | ID 8            |
| – for inert gas                                | ID 6            |
| Dimensions W x H x D [mm]                      | 366 x 423 x 294 |
| Gas ballast valve                              | Yes             |
| Size of the separators [ml]                    | 500             |
| USB connection                                 | Mini-USB        |
| Permissible media and ambient temperature [°C] | +5 ... +40      |

## MATERIALS

|            |                      |
|------------|----------------------|
| Pump head  | PPS                  |
| Diaphragm  | PTFE-coated          |
| Valves     | FFPM                 |
| Separators | plastic-coated glass |

## Dimensions

### SC 920 G



### ACCESSORIES

|                                    | ID     |
|------------------------------------|--------|
| Coolant valve – G 1/2, ID 8        | 117121 |
| Chemical-resistant protective film | 117407 |

## Combination possibilities





# WolfLabs

**Pricing on any accessories shown can be found by keying the part number into the search box on our website.**

The specifications listed in this brochure are subject to change by the manufacturer and therefore cannot be guaranteed to be correct. If there are aspects of the specification that must be guaranteed, please provide these to our sales team so that details can be confirmed.

**[www.wolflabs.co.uk](http://www.wolflabs.co.uk)**

**Tel : 01759 301142**

**Fax : 01759 301143**

**[sales@wolflabs.co.uk](mailto:sales@wolflabs.co.uk)**

Please contact us if this literature doesn't answer all your questions.