




NATURAL
REFRIGERANT
R290

Key Features

The FM-12oKE-5o-HC/HCN are self-contained ice makers, which utilise Natural Refrigerant R290.

-  Energy efficient, with savings of 26% compared to HFC equivalent model.*
- ✓ Member of the Emerald Class, Hoshizaki's range of climate friendly ice makers.
- ✓ Can produce up to 125 kg of ice (flake) and 110 kg (nugget) per 24 hours (AT.10°C.WT.10°C).
- ✓ Automatic flush system to reduce sediment build up.
- ✓ Closed water circuit offers the ultimate contamination protection, by reducing the number of points at which impurities can enter the ice making process.
- ✓ Electronically controlled to ensure an optimised ice making process under varying circumstances without the need for physical adjustments. Quality of ice is always consistent.
- ✓ Easily cleanable air filter allows end-users to carry out routine cleaning schedules. Extends product life expectancy and reduces the frequency and costs of maintenance call-outs.
- ✓ Stainless steel exterior with integrated door handles provides a hygienic and high quality finish.

* Based on Internal comparative study. Please contact your local sales branch to find out more.



FM-12oKE-5o-HC
Ice: Flake



FM-12oKE-5o-HCN
Ice: Nugget

Available Models

Model	Air Cooled	Water Cooled
FM-12oKE-5o-HC	✓	
FM-12oKE-5o-HCN	✓	

Bins

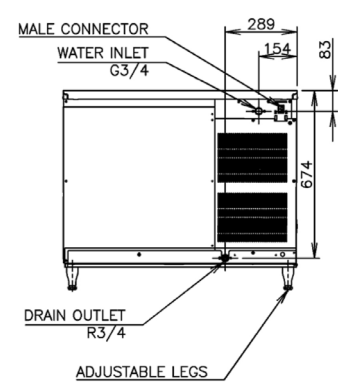
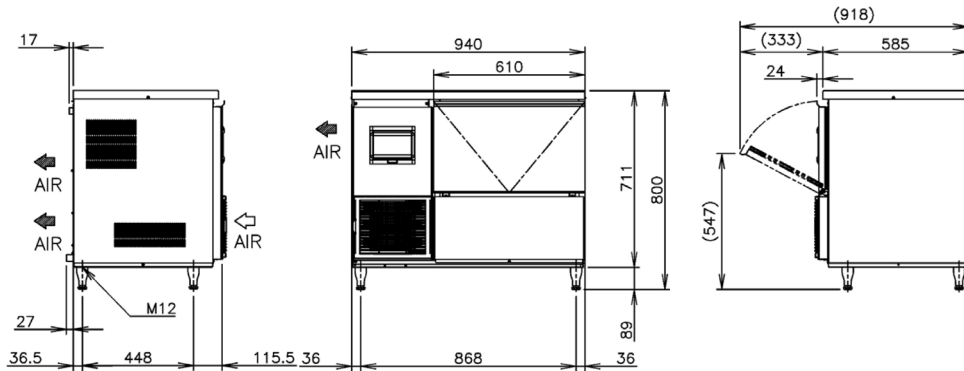
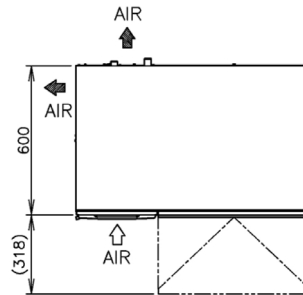
Model	Type of Bin	Max. Bin Capacity approx.
FM-12oKE-5o-HC	Self-contained	57kg
FM-12oKE-5o-HCN	Self-contained	65kg

Production

Model	Ice Production per 24h approx.	Temperature	Water Consumption per 24h approx.
FM-12oKE-5o-HC	Approx. 125kg	AT 10°C, WT 10°C	0,125m ³
	Approx. 105kg	AT 21°C, WT 15°C	0,105m ³
	Approx. 82kg	AT 32°C, WT 21°C	0,082m ³
FM-12oKE-5o-HCN	Approx. 110kg	AT 10°C, WT 10°C	0,110m ³
	Approx. 96kg	AT 21°C, WT 15°C	0,096m ³
	Approx. 75kg	AT 32°C, WT 21°C	0,075m ³

FM-12oKE-HC/HCN

➔ CAD drawings available on our website



D15998 / 2015.04.24

Specifications

	FM-12oKE-5o-HC/HCN
Dimensions W x D x H (mm)	940 x 600 x 800 (Legs 89mm)
AC Supply Voltage	1/220 - 240V/50Hz
Electrical Capacity (kW)	0,355
Heat Rejection (AT 32°C, WT 21°C)	655W
Refrigerant Charge	R290
Weight Gross / Net	88kg / 76kg

Operation Requirements

Ambient Temperature	5 - 40°C
Water Supply Temperature	5 - 35°C
Water Supply Pressure	0,5-8bar (0,05-0.8MPa)
Voltage Range	Rated Voltage ± 6%

Accessories

Scoop
Installation Kit



WolfLabs

Pricing on any accessories shown can be found by keying the part number into the search box on our website.

The specifications listed in this brochure are subject to change by the manufacturer and therefore cannot be guaranteed to be correct. If there are aspects of the specification that must be guaranteed, please provide these to our sales team so that details can be confirmed.

www.wolflabs.co.uk

Tel : 01759 301142

Fax : 01759 301143

sales@wolflabs.co.uk

Please contact us if this literature doesn't answer all your questions.