

# Frontier® ACELA™

## High Performance Fume Hood

*Laminar Topography and Perfect Protection Perimeter*

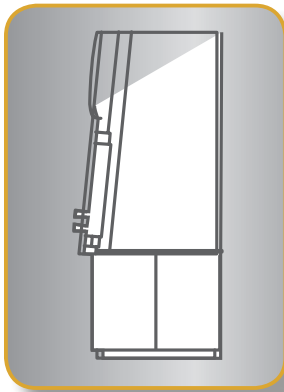
*Frontier® Acela™ High Performance Fume Hood,  
(vertical sash shown),  
Model EFA-4UDRVW-8. (Shown with EBA-4UDG-0)*



**ESCO**

WORLD CLASS. WORLDWIDE.

# Frontier® Acela™ High Performance Fume Hood Laminar Topography and Perfect Protection Perimeter



## Perfect Pitch Profile

- 5° Face Pitch ergonomically allows users to work further into the hood without strain.
- Ergonomic design is anthropometrically proven.



## High Sight Line

- High sight line of 1803 mm (71.0") for enhanced visibility.



## Acela™ Shaping Vanes

- Improves containment by increasing airflow "sweep" at the critical area.



## Ergonomic Sash Handle

- Gently directs air into the hood without sacrificing visibility.



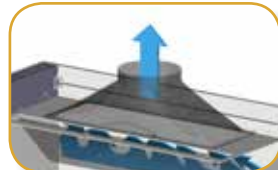
2

Standards Compliance	Chemical Fume Containment	Electrical Safety
	ANSI/ASHRAE 110-1995, USA EN 14175, Europe	CAN/CSA-22.2, No.61010-1 EN-61010-1, Europe IEC-61010-1, Worldwide



#### Chain and Sprocket Sash Support System

- The unique design provides a robust stream of bypass air into the hood cavity.



#### Tempered Fiber Glass Exhaust Collar

- Enhances airflow uniformity.



#### Functionally Robust Bypass

- The unique design provides a robust stream of bypass air into the hood cavity.

#### Hot Zone Baffles

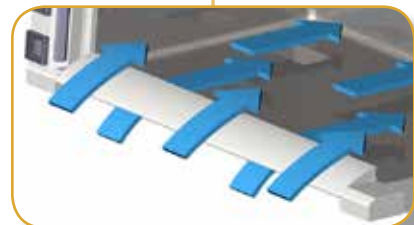
- The unique Hot Zone Baffle design draws most contaminants back in single pass displacement of the air. Thermal heat relief is quickly achieved.

#### Aerodynamic Foil Entry

- Provides maximum airflow "sweep" on the critical boundary layer.
- Helps reduce turbulence and eliminate backflow.

#### Tri-wall Construction Coated with Isocide™

- Built for maximum robustness and for long term chemical abrasion and weathering resistance.



# The Frontier® Acela™ is Safety Certified and Tested

## European Standard EN 14175

- EN 14175 is a harmonized European standard which supercedes the former national standards of Germany, the UK and France. A key element of the standard is the robustness test, which simulates airflow disturbance in front of the hood.
- The Frontier® Acela™ fume hood was independently tested and certified (4 ft, 5 ft and 6 ft models) by Tintschi Engineering AG to the European Standard EN 14175-3.



EN 14175 Certification



Inner Grid Test



Outer Grid Test



Robustness Test

## American Standard ASHRAE 110-1995

- The ASHRAE 110-1995 is a comprehensive method for evaluating the operator safety of fume hood by determining quantitatively and repeatedly how well the fume hood contains vapors released in the work zone.
- First published in 1985 and extensively revised in 1995, this standard employs a set of rigorous tests to evaluate hood performance such as airflow visualization, face velocity measurements and tracer gas containment.
- The Frontier® Acela™ fume hood was independently tested and certified by Exposure Control Technologies, Inc. to the American Standard ASHRAE 110.
- Hoods are ASHRAE tested on the production line in a sampling basis (industry exclusive).

4



Face velocity measurement test



Tracer gas containment test

## Additional Safety Features

- Sash stop limits sash movement beyond 457 mm (18.0"), 'encouraging' user to work at safe positions.
- Esco's Creep Down Mechanism will automatically lower the sash to its safe level (unless held in place) when sash is raised above 457 mm (18.0"). This enables the sash to be raised temporarily to the full open position for set up of equipment and apparatus inside the hood while enforcing regular operation of the hood with a lowered sash.
- Has Key Lock feature which permits the laboratory manager or safety officer to restrict operation of the hood at sash openings above 457 mm (18.0").
- The key can also be used to lock down the sash in its fully closed position to restrict access in case of faulty fume hood, facility shut down or simply to restrict access to equipment setup inside the hood.
- Fluorescent light casing is designed to be released upward or away from the operator in case of explosion, thereby, maximizing user's safety.



## Serviceability

- Removable baffles to allow easy cleaning inside the hood.
- Internal access panels on side walls facilitate access to plumbing connections for service, especially when hoods are installed next to each other.
- Removable front panel facilitates easy access to lighting and other electrical components mounted above the hood work chamber.
- Chain and sprocket sash system requires minimal service.



## Warranty

The Frontier® Acela™ High Performance Fume Hood is warranted for 1 year excluding consumable parts and accessories. Contact your local sales representative for specific warranty details.



# Frontier® ACELA™

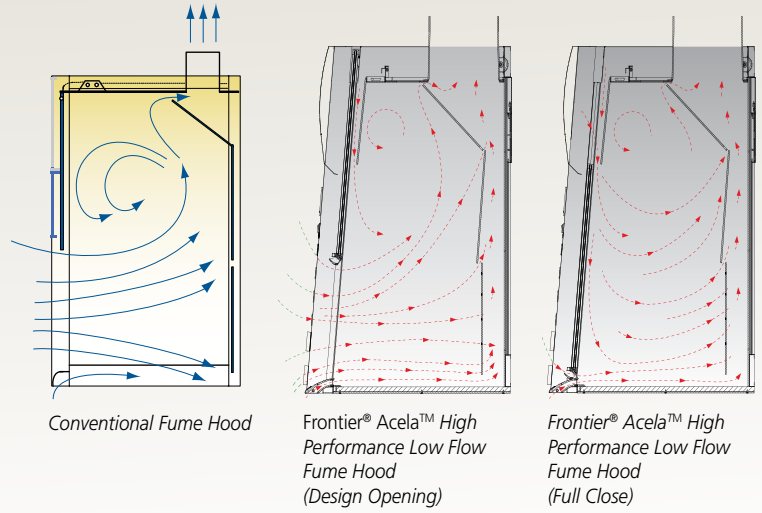
Fume Hoods • Laboratory Fume Hoods

## Computational Fluid Dynamics

Computational Fluid Dynamics (CFD) modelling is employed in the development of Esco clean air and containment devices. Laminar Topography™ on Frontier® Acela™ Fume Hoods was developed with computational fluid dynamics modelling in the Esco Research and Development Center. The main thrusts of the project were improved airflow uniformity, enhanced safety, reduction in noise levels, and energy consumption.

First, engineering teams conceptualized possible designs, and, instead of building physical models, utilized CFD to simulate airflow patterns, pressurizations and visualize possible areas of turbulence. This allowed a large number of iterations of the airfoil, sash handle, baffle, bypass and exhaust collar to be evaluated. Finally, physical prototypes were constructed, tested, and the best design combination selected for production.

CFD has allowed us to effectively reduce the vortex in conventional fume hood designs to the minimum, resulting in a safe yet energy-saving fume hood design.



## Conventional Fume Hoods are Energy Spenders

The cost of running a full blown fume hood in a laboratory is certainly not a joke. More so if you maintain more than two of this equipment in the lab. Fume hoods, which are essential in keeping the safety of personnel inside the laboratory, are highly energy-intensive with each one consuming more energy than three homes in an average U.S. environment. Depending on climate and system design, estimated energy costs for fume hoods range up to US\$9000 annually, based

on face velocities of 0.5 m/s (100 fpm) at full sash open position for a 1.8 m (72") hood .

Variable Air Volume (VAV) is one of the various approaches presently employed to reduce hood energy consumption. The table below compares conventional hoods, VAV hoods, and the Esco Frontier® Acela™ High Performance Low Flow Hood.

5

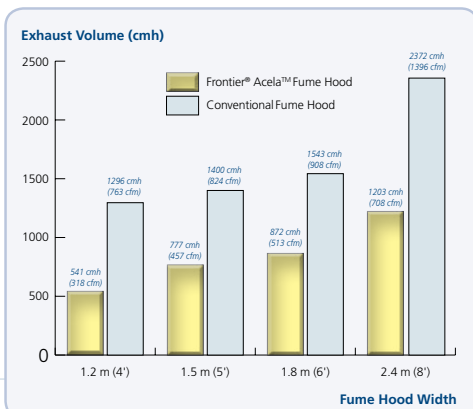
	Conventional Fume Hood	Variable Air Volume (VAV) Fume Hood	High Performance Low Flow Fume Hood
<b>Working Principle</b>	0.5 m/s (100 fpm) at full open sash position	0.5 m/s (100 fpm) at all sash positions with sophisticated control system	0.3 m/s (60 fpm) at 457 mm (18") sash opening using advanced aerodynamic designs
<b>Initial Cost</b>	Low	High	Medium
<b>Running Cost</b>	Very High	Medium (VAV Maintenance)	Low
<b>Ease of Installation, Commissioning and Maintenance</b>	Easy	Difficult	Easy

Energy use and savings potential for laboratory fume hoods, Evan Mills, Dale Sartor; Energy, 2003



Compared with conventional hoods, Esco Frontier® Acela™ operates safely at 0.3 m/s (60 fpm) at 457 mm (18.0") or full open sash position while maintaining excellent ASHRAE and EN containment. Exhaust volume reductions of up

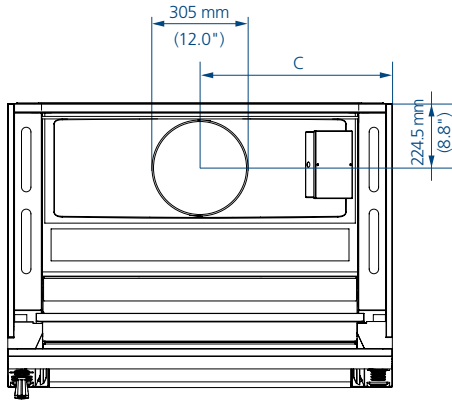
to 58% may be achieved without compromising safety. **This translates into an annual operating cost savings of up to US\$5600.** Unlike VAV systems the Esco Frontier® Acela™ is easy and inexpensive to install, commission and maintain.



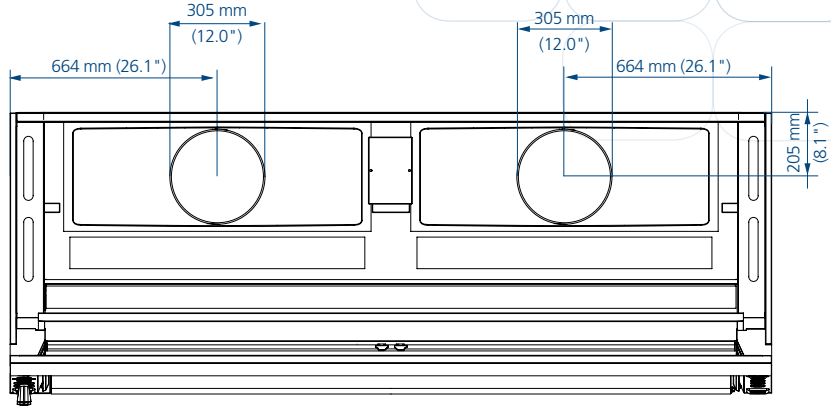
Fume Hood Width	Exhaust Volume		% Reduction in Exhaust Volume
	Frontier® Acela™ 0.3 m/s (60 fpm) at 457 mm (18")	Conventional Fume Hood 0.5 m/s (100 fpm) at full sash open	
1.2 m (4')	541 cmh (318 cfm)	1296 cmh (763 cfm)	58%
1.5 m (5')	777 cmh (457 cfm)	1400 cmh (824 cfm)	44%
1.8 m (6')	872 cmh (513 cfm)	1543 cmh (908 cfm)	43%
2.4 m (8')	1203 cmh (708 cfm)	2372 cmh (1396 cfm)	49%

# Model EFA, Frontier® Acela™ Fume Hood Engineering Drawing

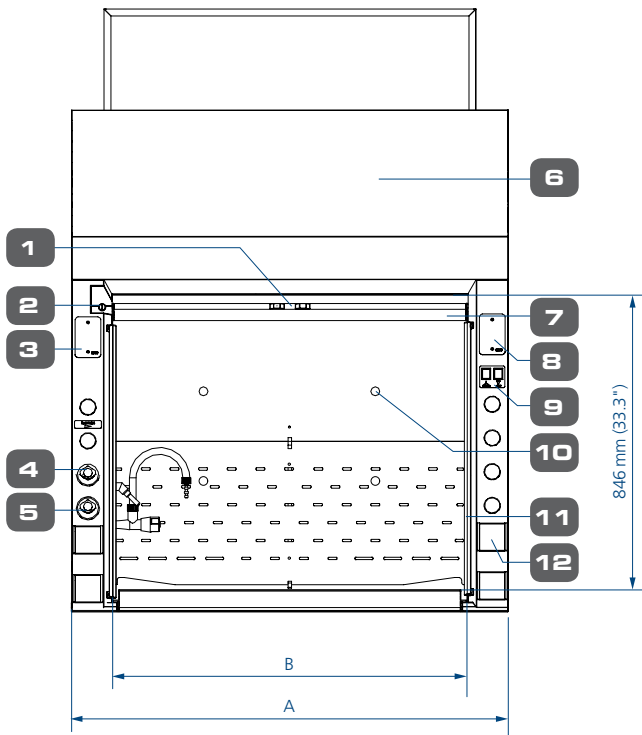
**Top View**  
(For Nominal Widths: 4, 5 and 6 feet)



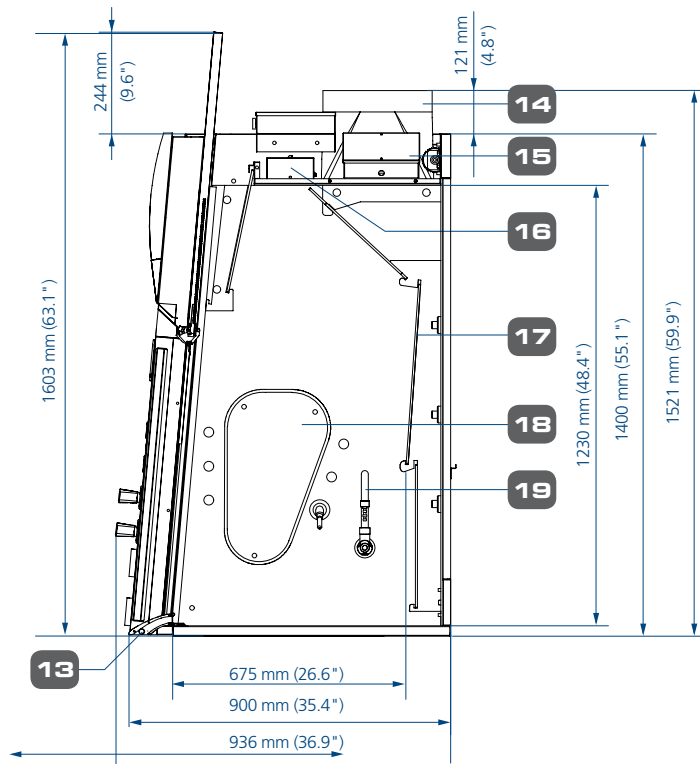
**Top View**  
(For Nominal Width of 8 feet)



**Front View**



**Side View**



- |   |                               |
|---|-------------------------------|
| 1. Sash Stop  | 11. Side Vane                 |
| 2. Sash Keylock (lock sash at fully open and fully close) | 12. Electrical Outlets        |
| 3. Provision for additional outlets                       | 13. Flash Airfoil             |
| 4. Gas Fixture, Remote                                    | 14. Fiberglass Exhaust Collar |
| 5. Cold Water Fixture, Remote                             | 15. Electrical Junction Box   |
| 6. Removable Front Panel                                  | 16. Light Housing             |
| 7. Tempered Laminated and Framed Sash Glass               | 17. Removable Baffle          |
| 8. Provision for Sentinel™ XL airflow alarm               | 18. Side Access Panel         |
| 9. Light and Fan Switch                                   | 19. Swan-neck Water Faucet    |
| 10. Distillation Grid Provision                           |                               |

## Fume Hood Installation Requirements

- Proper location (refer to Esco recommendations)
- Exhaust system capable of delivering airflow and pressure drop requirements
  - Exhaust ductwork and connection accessories
  - Exhaust blower (or building exhaust system)
  - Contractor (if applicable)
  - Means of adjusting exhaust flow (damper or frequency inverter)
- Sufficient laboratory supply air
- Base cabinet or other means of support
- One set of filler panels for each continuous row of hoods
- Plumbing and electrical hook-up
- Unless otherwise specified, items and services specified above are not provided by Esco

### Fume Hood Dimensional Data

Nominal Width	A	B	C
4 feet	1220 mm (48.0")	996 mm (39.0")	610 mm (24.0")
5 feet	1525 mm (60.0")	1301 mm (51.0")	763 mm (30.0")
6 feet	1830 mm (72.0")	1606 mm (63.0")	915 mm (36.0")
8 feet	2440 mm (96.0")	2210 mm (87.0")	664 mm (26.0")

## Guide to Models

E F A -      D      W -

External Width	Code	Internal Depth	Code	Internal Liner	Code	Sash Type	Code	Color	Code	Electrical	Code
1220 mm (48.0")	<b>4U</b>	900 mm (35.4")	<b>D</b>	Esco Resinate™	<b>R</b>	Vertical	<b>V</b>	Esco White	<b>W</b>	220-240 VAC, 50/60 Hz	<b>8</b>
1525 mm (60.0")	<b>5U</b>			Esco Resinate Plus™	<b>U</b>	Combination*	<b>C</b>			110-120 VAC, 50/60 Hz	<b>9</b>
1830 mm (72.0")	<b>6U</b>										
2440 mm (96.0")	<b>8U</b>										

\*Combination Sash is not available for 8 feet models.

## General Specifications, Frontier® Acela™ Fume Hood

Model	220-240 VAC, 50/60 Hz, 1ø	EFA-4UDRVW8 2090004	EFA-5UDRVW8 2090014	EFA-6UDRVW8 2090023	EFA-8UDRVW8 2090223	
		110-120 VAC, 50/60 Hz, 1ø	EFA-4UDRCW8 2090005	EFA-5UDRCW8 2090015	EFA-6UDRCW8 2090024	EFA-8UDRCW8 2090224
		EFA-4UDUCW8 2090623	EFA-5UDUCW8 2090624	EFA-6UDUCW8 2090293	EFA-8UDUCW8 2090293	
		EFA-4UDUVW8 2090369	EFA-5UDUVW8 2090300	EFA-6UDUVW8 2090208	EFA-8UDUVW8 2090287	
		EFA-4UDRVW9 2090193	EFA-5UDRVW9 2090207	EFA-6UDRVW9 2090208	EFA-8UDRVW9 2090501	
		EFA-4UDRCW9 2090346	EFA-5UDRCW9 2090063	EFA-6UDRCW9 2090263	EFA-8UDRCW9 2090263	
		EFA-4UDUVW9 2090199	EFA-5UDUVW9 2090256	EFA-6UDUCW8 2090625	EFA-8UDUCW8 2090625	
		EFA-4UDUCW9 2090252	EFA-5UDUCW9 2090253	EFA-6UDUCW9 2090254	EFA-8UDUCW9 2090258	
<b>Nominal Size</b>		1.2 meter (4')	1.5 meter (5')	1.8 meter (6')	2.4 meters (8')	
<b>External Dimensions (W x D x H)</b>	Fume Hood unit only	1220 x 900 x 1400 mm (48.0" x 35.4" x 55.1")	1525 x 900 x 1400 mm (60.0" x 35.4" x 55.1")	1830 x 900 x 1400 mm (72.0" x 35.4" x 55.1")	2440 x 900 x 1400 mm (96.0" x 35.4" x 55.1")	
	With Exhaust Collar	1220 x 900 x 1521 mm (48.0" x 35.4" x 59.9")	1525 x 900 x 1521 mm (60.0" x 35.4" x 59.9")	1830 x 900 x 1521 mm (72.0" x 35.4" x 59.9")	2440 x 900 x 1521 mm (96.0" x 35.4" x 59.9")	
	With Fully-opened Sash	1220 x 900 x 1603 mm (48.0" x 35.4" x 64.7")	1525 x 900 x 1603 mm (60.0" x 35.4" x 64.7")	1830 x 900 x 1603 mm (72.0" x 35.4" x 64.7")	2440 x 900 x 1603 mm (96.0" x 35.4" x 64.7")	
<b>Internal Dimensions (W x D x H)</b>		996 x 675 x 1230 mm (39.2" x 26.6" x 48.4")	1301 x 675 x 1230 mm (51.2" x 26.6" x 48.4")	1606 x 675 x 1230 mm (63.2" x 26.6" x 48.4")	2210 x 675 x 1230 mm (87.0" x 26.6" x 48.4")	
<b>Exhaust Volume/ Static Pressure Required</b>	<b>Face Velocity</b>	<b>Sash Opening</b>				
	0.3 m/s (60 fpm)	457 mm (18.0")	541 cmh at 14.3 Pa (316 cfm at 0.06" WG)	777 cmh at 14.6 Pa (457 cfm at 0.06" WG)	872 cmh at 19.9 Pa (510 cfm at 0.08" WG)	1203 cmh at 14.2 Pa (708 cfm at 0.06" WG)
	0.4 m/s (80 fpm)	457 mm (18.0")	721 cmh at 19.7 Pa (424 cfm at 0.08" WG)	942 cmh at 23.7 Pa (554 cfm at 0.10" WG)	1163 cmh at 28.8 Pa (684 cfm at 0.12" WG)	1604 cmh at 26.4 Pa (944 cfm at 0.11" WG)
	0.5 m/s (100 fpm)	457 mm (18.0")	901 cmh at 31.8 Pa (530 cfm at 0.13" WG)	1177 cmh at 34.7 Pa (692.8 cfm at 0.14" WG)	1453 cmh at 41.8 Pa (855 cfm at 0.17" WG)	2005 cmh at 32.3 Pa (1180 cfm at 0.13" WG)
	0.3 m/s (60 fpm)	Full	899 cmh at 22.1 Pa (526 cfm at 0.09" WG)	1175 cmh at 28.7 Pa (691 cfm at 0.12" WG)	1450 cmh at 36.1 Pa (848 cfm at 0.15" WG)	1819 cmh at 27.3 Pa (1070 cfm at 0.11" WG)
	0.4 m/s (80 fpm)	Full	1199 cmh at 36.7 Pa (701 cfm at 0.15" WG)	1556 cmh at 49.3 Pa (922 cfm at 0.20" WG)	1933 cmh at 61.4 Pa (1138 cfm at 0.25" WG)	2668 cmh at 48.3 Pa (1570 cfm at 0.19" WG)
0.5 m/s (100 fpm)	Full	1499 cmh at 66.6 Pa (877 cfm at 0.27" WG)	1958 cmh at 76.6 Pa (1152 cfm at 0.31" WG)	2197 cmh at 94.7 Pa (1285 cfm at 0.38" WG)	3335 cmh at 74.3 Pa (1962 cfm at 0.30" WG)	
<b>Exhaust Outlet Diameter</b>		305 mm (12.0")				
<b>Number of Exhaust Collar</b>		1		2		
<b>Fluorescent Lighting System</b>	Description	Pre-wired hood lighting with electronic ballast for energy efficiency and instant start				
	Lamp Intensity	930 lux (86.3 foot-candles)	915 lux (85 foot-candles)	886 lux (886 foot-candles)	931 lux (86.5 foot-candles)	
<b>Controller</b>		Rocker Switches (default). Option to upgrade to Sentinel™ XL Microprocessor Controller				
<b>Construction</b>	Main Body	Electrogalvanized steel with Epoxy-polyester hybrid Isocide™ powder coating				
	Internal Liner (default)	Esco Resinate™				
	Worktop (default)	Phenolic Resin				
<b>Sash Specifications</b>	Sash Material	Tempered Laminated and Framed Sash Glass				
	Sash Configuration	Vertical or Combination			Vertical	
	Sloping	5° Sloped				
	Maximum Sash Opening	740 mm (29.1")				
<b>Electrical</b>	Cabinet Full Load Amps (FLA)	32 A				
	Cabinet Nominal Power	100 W (lighting only)				
<b>Shipping Weight*</b>		260 Kg (573 lbs)	310 Kg (683 lbs)	360 Kg (794 lbs)	470 Kg (1036 lbs)	
<b>Shipping Dimension, Maximum (W x D x H)*</b>		1300 x 950 x 1900 mm (51.2" x 37.4" x 74.8")	1650 x 950 x 1900 mm (65.0" x 37.4" x 74.8")	1950 x 950 x 1900 mm (76.8" x 37.4" x 74.8")	2500 x 950 x 1900 mm (98.4" x 37.4" x 74.8")	

\*Fume hood unit only. Excludes base cabinet / optional stand.

## Accessories and Other Options

Accessories	Model Code / Item Code	Description
<b>Distillation Grids</b> Scaffoldings to support clamps for distillation apparatus	DG-4US 5170135	For 4U model with external width 1220 mm (48"); Stainless Steel material
	DG-5US 5170136	For 5U model with external width 1525 mm (60"); Stainless Steel material
	DG-6US 5170137	For 6U model with external width 1830 mm (72"); Stainless Steel material
	DG-8US 5170138	For 8U model with external width 2440 mm (96"); Stainless Steel material
<b>Enhanz™ Service Fixtures</b> Remote-controlled service fixtures for fume hoods, pre-plumbed. Up to 8 service fixtures per fume hood	SFA-EW 5170266	Fixture for water
	SFA-EG 5170265	Fixture for Gas
	SFA-EV 5170306	Fixture for Vacuum
	SFA-EN 5170313	Fixture for Nitrogen
	SFA-EO 5170440	Fixture for Oxygen
	SFA-EC 5170275	Fixture for Compressed Air
	SFA-EA 5170274	Fixture for Argon
	SFA-HW 5170408	Fixture for Hot Water
	SFA-CO2 5170433	Fixture for Carbon Dioxide
	SFA-DI 5170416	Fixture for Deionised Water
<b>Drip Cups</b>	SPP-DC 5170271	Polypropylene Drip Cup
	SIC-DC 5170359	Ceramic Drip Cup (Applicable only for Ceramic Work Tops)
<b>Sentinel™ XL Airflow Alarm Kit</b>	SXL-EFA 5070084	Real-time digital display of face velocity. Audible and visual alarms
<b>Frontier Acela® Base Cabinetry</b>	EBA-4UDG-0 2090153	Standard base without MCB/ELCB for 4U model
	EBA-5UDG-0 2090157	Standard base without MCB/ELCB for 5U model
	EBA-6UDG-0 2090161	Standard base without MCB/ELCB for 6U model
	EBA-8UDG-0 2090163	Standard base without MCB/ELCB for 8U model
	EBA-4UDG-8 2090154	With MCB/ELCB protection for 4U model
	EBA-5UDG-8 2090158	With MCB/ELCB protection for 5U model
	EBA-6UDG-8 2090162	With MCB/ELCB protection for 6U model
	EBA-8UDG-8 2090167	With MCB/ELCB protection for 8U model
<b>Envirosafe Fume Scrubber</b> Air pollution control for water soluble chemicals present in the exhaust fumes.	EFS-001-4 2090240	Envirosafe Fume Scrubber for Esco Fume Hoods, 4 ft / 1.2m
	EFS-001-5 2090250	Envirosafe Fume Scrubber for Esco Fume Hoods, 5 ft / 1.5m
	EFS-001-6 2090251	Envirosafe Fume Scrubber for Esco Fume Hoods, 6 ft / 1.8m 894
<b>Ventilation Kit for EBA Base Cabinet</b>	VK-EBA 5170022	Ventilates base cabinet utilizing the hood exhaust system. One (1) unit required for 4' Base Cabinet and two (2) units for other sizes.
<b>Filler Panel Kit for EBA Base Cabinet</b>	FP-EBA 5170023	Used to increase the depth of the base cabinet to enclose pipings and utilities. One set of filler panels required per continuous row of hoods.



DG-US



SXL-EFA



S-D



SFA



VK-EBA



FP-EBA



WF



EFS-001

### Fume Hood Work Surface Selection

Esco offers 5 types of fume hood work surfaces for different applications

Type	SS304	SS316	Trespa TopLab <sup>PLUS</sup> Phenolic Resin	Epoxy	Ceramic
Chemical Resistance	Good	Better	Better	Better	Best
Temperature Resistance	Better (300°C)	Better (300°C)	Good (110°C)	Good (165°C)	Best (1200°C)
Cost	Low Price	Mid Price	Mid Price	Mid Price	Premium

### Work Tops

#### External Depth

D: 900 mm

#### Drip-Cup Cut-Out Position

WT - 4U D R - 0

#### External Width

4U: 1220 mm (48")

5U: 1525 mm (60")

6U: 1830 mm (72")

8U: 2440 mm (96")

#### Material

R: Trespa TopLab<sup>PLUS</sup>

E: Epoxy

C: Ceramic

4: SS304

6: SS316

0:



1:



2:



3:



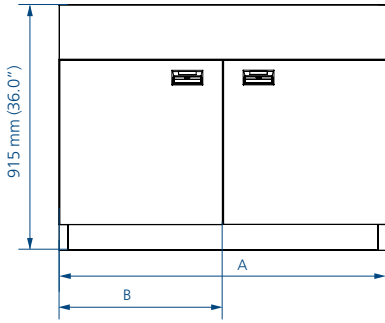
### Item Codes for the Work Surface Selection

Nominal Sizes	Drip Cup Position	Types				
		Trespa TopLab <sup>PLUS</sup>	Epoxy	Ceramic	SS304	SS316
4 Feet	0	WT-4UDR-0 5120006	WT-4UDE-0 5120002	WT-4UDC-0 5120146	WT-4UD4-0 5120049	WT-4UD6-0 5120041
	1	WT-4UDR-1 5120007	WT-4UDE-1 5120003	WT-4UDC-1 5120001	WT-4UD4-1 5120043	WT-4UD6-1 5120042
	2	WT-4UDR-2 5120008	WT-4UDE-2 5120004	WT-4UDC-2 5120057	WT-4UD4-2 5120147	WT-4UD6-2 5020397
	3	WT-4UDR-3 5120009	WT-4UDE-3 5120005	WT-4UDC-3 5120250	WT-4UD4-3 5120076	WT-4UD6-3 5020398
5 Feet	0	WT-5UDR-0 5120015	WT-5UDE-0 5120011	WT-5UDC-0 5120048	WT-5UD4-0 5120173	WT-5UD6-0 5020403
	1	WT-5UDR-1 5120016	WT-5UDE-1 5120012	WT-5UDC-1 5120010	WT-5UD4-1 5120069	WT-5UD6-1 5020404
	2	WT-5UDR-2 5120017	WT-5UDE-2 5120013	WT-5UDC-2 5120179	WT-5UD4-2 5120172	WT-5UD6-2 5020405
	3	WT-5UDR-3 5120018	WT-5UDE-3 5120014	WT-5UDC-3 5120166	WT-5UD4-3 5020402	WT-5UD6-3 5020406
6 Feet	0	WT-6UDR-0 5120024	WT-6UDE-0 5120020	WT-6UDC-0 5120251	WT-6UD4-0 5020407	WT-6UD6-0 5120145
	1	WT-6UDR-1 5120025	WT-6UDE-1 5120021	WT-6UDC-1 5120019	WT-6UD4-1 5020408	WT-6UD6-1 5020412
	2	WT-6UDR-2 5120026	WT-6UDE-2 5120022	WT-6UDC-2 5120178	WT-6UD4-2 5020409	WT-6UD6-2 5020413
	3	WT-6UDR-3 5120027	WT-6UDE-3 5120023	WT-6UDC-3 5120252	WT-6UD4-3 5120075	WT-6UD6-3 5020414
8 Feet	0	WT-8UDR-0 5120032	WT-8UDE-0 5120028	WT-8UDC-0 5120183	WT-8UD4-0 5020415	WT-8UD6-0 5020419
	1	WT-8UDR-1 5120033	WT-8UDE-1 5120029	WT-8UDC-1 5120071	WT-8UD4-1 5020416	WT-8UD6-1 5020420
	2	WT-8UDR-2 5120034	WT-8UDE-2 5120030	WT-8UDC-2 5120253	WT-8UD4-2 5020417	WT-8UD6-2 5020421
	3	WT-8UDR-3 5120035	WT-8UDE-3 5120031	WT-8UDC-3 5120254	WT-8UD4-3 5020418	WT-8UD6-3 5020422

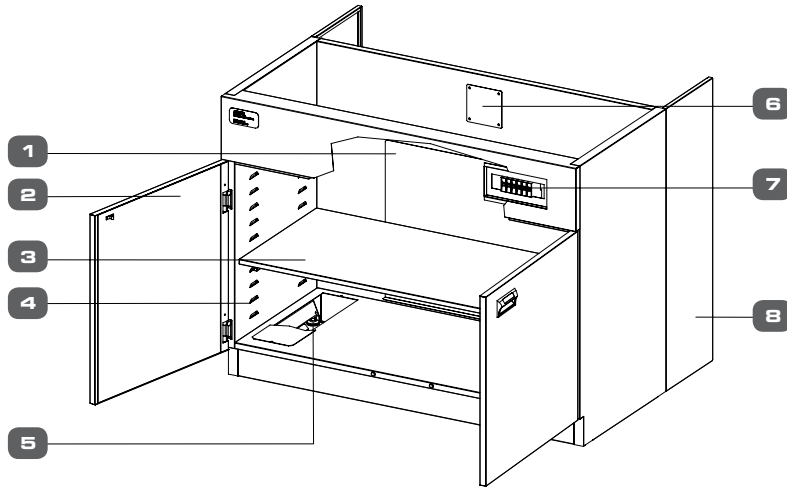
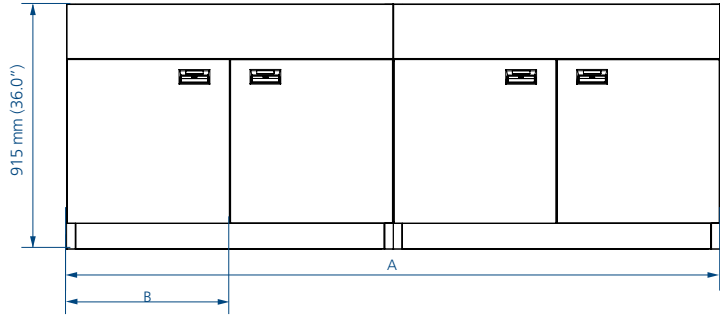


# Model EBA, Frontier® Acela™ Base Cabinet Engineering Drawing

**Front View**  
EBA-4UDG- (For nominal width of 4 feet)



**Front View**  
EBA-5UDG- / EBA-6UDG- / EBA-8UDG- (For nominal widths: 5, 6 and 8 feet)



- 1. Rear access panel
- 2. Soft close door
- 3. Adjustable shelf
- 4. Adjustable shelf slot
- 5. Base cabinet height leveler
- 6. Ventilation provision
- 7. MCB/ELCB set (optional)
- 8. Base cabinet filler panel (optional)

Unit Size	A	B	Base Cabinet Quantity
4 feet	1220 mm (48.0")	610 mm (24.0")	1
5 feet	1525 mm (60.0")	381 mm (15.0")	2
6 feet	1830 mm (72.0")	457.5 mm (18.0")	
8 feet	2440 mm (96.0")	610 mm (24.0")	



### Safety Certified and Tested

- Built and tested according to SEFA-8 recommended practices.

### Superstructure

- Fabricated of electro-galvanized steel (zinc coated to prevent rusting even if the powder coat is abraded, and phosphated for better adhesion of the powder coating)
- Epoxy-polyester hybrid Isocide™ antimicrobial powder coating provides long term chemical, abrasion and weathering resistance.
- Ships unassembled, assembles rapidly on site

### Aesthetics and Ergonomics Design

- Concealed door hinges
- Soft-close insulated doors
- Adjustable shelf allows user to select optimum heights for upper and lower storage compartments

### Serviceability

- Convenient access to levelers from inside base cabinet
- Removable rear access panel facilitates installation and maintenance of plumbing and drainage systems

### Options and Accesories

- MCB/ELCB**
  - Protects laboratory equipment during sudden fluctuation of current
  - Fume hood circuit protection
  - Only applicable to 230 VAC, 50/60 Hz hoods
  - Factory-installed; specify when ordering
- Ventilation Kit (VK-EBA)**
  - Ventilates base cabinet utilizing the hood exhaust system
  - Field-installed
- Filler Panel (FP-EBAD)**
  - One set of filler panels required per continuous row of hoods
  - Field-installed

SEFA-8 Test on Frontier® Acela™ Base Cabinet (EBA)		
No.	Type of Test	Test Result
1	Cabinet load test	PASS
2	Cabinet concentrated load test	PASS
3	Cabinet torsion	PASS
4	Cabinet submersion test	PASS
5	Door hinge test	PASS
6	Door impact test	PASS
7	Door cycle test	PASS
8	Chemical spot test	PASS
9	Hot water test	PASS
10	Impact test	PASS
11	Paint adhesion on steel	PASS
12	Paint hardness on steel	PASS

## Esco Resinate™

Esco Resinate™ is a proprietary composite material specifically designed for use as internal liner in laboratory fume hoods.

- Excellent chemical resistance (refer to table below)
- Excellent physical properties provide structural reinforcement for the hood
- Smooth, attractive, easy-to-clean finish

Chemical Resistant Performance of Esco Resinate™					
	Chemicals	Result		Chemicals	Result
	Acids	85% Sulfuric Acid		No Effect	Alkalis
98% Sulfuric Acid		1st Grade	65% KOH	No Effect	
50% Nitric Acid		1st Grade	10% Iron Chloride	No Effect	
65% Nitric Acid		2nd Grade	10% Copper Sulfate	No Effect	
36% Hydrochloric Acid		No Effect	15% Sodium Sulfide	No Effect	
85% Phosphoric Acid		No Effect	Ammonium Hydroxide	No Effect	
40% Hydrofluoric Acid		No Effect	50% Magnesium Sulfate	No Effect	
60% Chromic Trioxide		No Effect	34% Hydrogen Peroxide	No Effect	
99% Glacial Acetic Acid		No Effect	Urea	No Effect	
Aqua Regia		No Effect	Copper Sulfate	No Effect	
Solvents	37% Formaldehyde	No Effect	General Reagents	Karl Fisher Reagent	No Effect
	N-Hexane	No Effect		Iodine	No Effect
	Ethyl Acetate	No Effect		1% Gentian Violet	No Effect
	Ethyl Ether	No Effect		Methylene Blue	No Effect
	Ethyl Alcohol	No Effect		Crystal Violet	No Effect
	Isopropyl Alcohol	No Effect		Methyl Red	No Effect
	Carbon Tetrachloride	No Effect		Methyl Orange	No Effect
	Naphthalene	No Effect			
	Chloroform	No Effect			
	Methanol	No Effect			
	Toluene	No Effect			
	Xylene	No Effect			
	Acetone	No Effect			
	Styrene	No Effect			
	Phenol	No Effect			

Note: Esco Resinate™ may not be suitable for fume hoods for increased acidic and heat loads. Contact your local sales representative for details.

\* Test Method: One drop of test chemical placed on material surface and covered with watch glass for 16 hours before result is observed.

- 1st Grade: Slight effect on color and gloss. No change to physical properties.

- 2nd Grade: Clear effect on color and gloss. No change to physical properties.

## Esco Resinate Plus™

Esco Resinate Plus™ liner is offer excellent chemical and physical resistance against harsh environments particularly against highly corrosive acids.

- Fiber Glass Reinforced Plastic
- UL1805 Compliant
- Smooth, attractive, easy-to-clean finish





# WolfLabs

**Pricing on any accessories shown can be found by keying the part number into the search box on our website.**

The specifications listed in this brochure are subject to change by the manufacturer and therefore cannot be guaranteed to be correct. If there are aspects of the specification that must be guaranteed, please provide these to our sales team so that details can be confirmed.

**[www.wolflabs.co.uk](http://www.wolflabs.co.uk)**

**Tel : 01759 301142**

**Fax : 01759 301143**

**[sales@wolflabs.co.uk](mailto:sales@wolflabs.co.uk)**

Please contact us if this literature doesn't answer all your questions.