

**ID-Nr. 30481-001**  
**Model UB90.060.059.T**



**safety storage under bench cabinet UB-T-90**  
**Model UB90.060.059.T, light grey (RAL 7035)**

**Safe and approved storage of flammable hazardous substances in working areas**

**Function / construction:**

- **Robust construction and longevity:** body made of powder-coated sheet steel
- **Easy handling with comfort:** door stops in any position, self-closing in the event of fire
- **User-friendly:** access to all containers, 93° opening of the wing door, interior of the cabinet completely visible
- **Mobile:** castors with plinth (optionally available), easy moving of the cabinet
- **Ventilation:** integrated air ducts ready for connection (DN 50) to a technical exhaust system

| Dimensions        |           |
|-------------------|-----------|
| Width (external)  | 593.00 mm |
| Depth (external)  | 574.00 mm |
| Height (external) | 600.00 mm |
| Width (internal)  | 470.00 mm |
| Depth (internal)  | 452.00 mm |
| Height (internal) | 502.00 mm |

The available internal dimensions can vary depending on the interior equipment package.

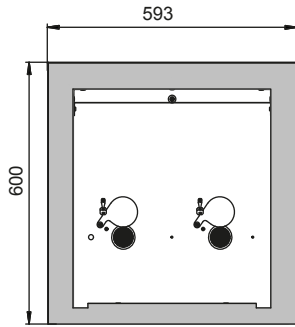
| Weight / Load                     |                          |
|-----------------------------------|--------------------------|
| Weight without interior equipment | 120 kg                   |
| Distributed load                  | 450.00 kg/m <sup>2</sup> |
| Maximum load                      | 300 kg                   |

| Ventilation                                 |                     |
|---|---------------------|
| Extraction air                              | 50 DN               |
| Minimum exhaust air quantity 10 times       | 1 m <sup>3</sup> /h |
| Differential pressure (10 times air change) | 1 Pa                |

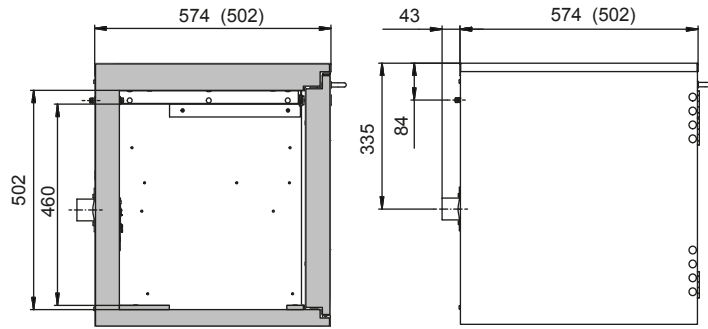
| Colouring / Surface finish   |            |
|------------------------------|------------|
| Body colour code             | RAL 7035   |
| Body colour                  | light grey |
| Body surface finish          | plain      |
| Door / Drawer colour code    | RAL 7035   |
| Door / Drawer colour         | light grey |
| Door / Drawer surface finish | plain      |

| General Information   |          |
|-----------------------|----------|
| Number of doors       | 1        |
| Door opening angle    | 135.00°  |
| Depth with open doors | 1044 mm  |
| Customs tariff number | 94032080 |

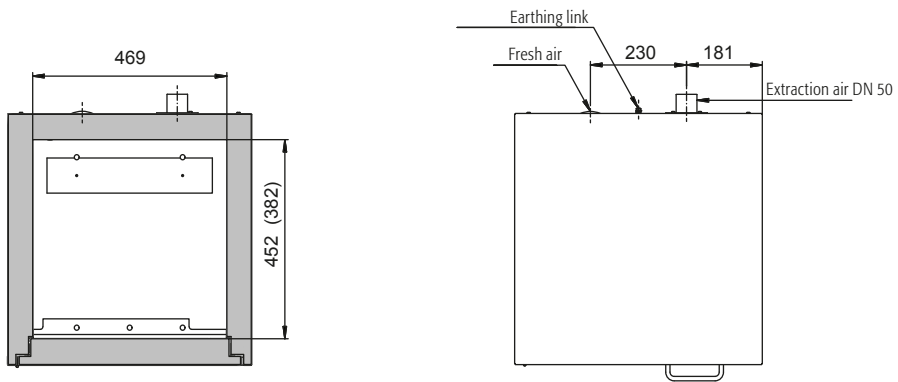
Front view



Side view



Top view





# WolfLabs

**Pricing on any accessories shown can be found by keying the part number into the search box on our website.**

The specifications listed in this brochure are subject to change by the manufacturer and therefore cannot be guaranteed to be correct. If there are aspects of the specification that must be guaranteed, please provide these to our sales team so that details can be confirmed.

**[www.wolflabs.co.uk](http://www.wolflabs.co.uk)**

**Tel : 01759 301142**

**Fax : 01759 301143**

**[sales@wolflabs.co.uk](mailto:sales@wolflabs.co.uk)**

Please contact us if this literature doesn't answer all your questions.