

**ID-Nr. 30365-001**  
**Model K90.060.110.050.UB.2T**



Dimensions	
Width (external)	1102.00 mm
Depth (internal)	380.00 mm
Height (external)	601.00 mm
Width (internal)	470.00 mm
Depth (external)	502.00 mm
Height (internal)	502.00 mm

The available internal dimensions can vary depending on the interior equipment package.

Weight / Load	
Weight without interior equipment	155 kg
Distributed load	275.00 kg/m <sup>2</sup>
Maximum load	300 kg

Ventilation	
Extraction air	50 DN
Minimum exhaust air quantity 10 times	2 m <sup>3</sup> /h
Differential pressure (10 times air change)	1 Pa

Colouring / Surface finish	
Body colour code	RAL 7035
Body colour	light grey
Body surface finish	plain
Door / Drawer colour code	RAL 7035
Door / Drawer colour	light grey
Door / Drawer surface finish	plain

General Information	
Left compartment	Compartment for the storage of flammable liquids
Right compartment	Compartment for the storage of aggressive, non flammable hazardous materials
Depth with open doors	1044 mm
Customs tariff number	94032080



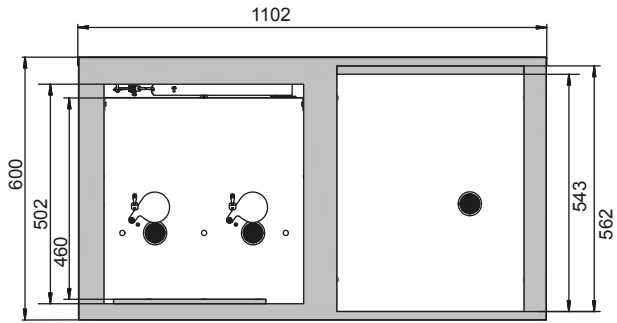
**Combi safety storage cabinet K-UB-90**  
**Model K90.060.110.050.UB.2T, light grey (RAL 7035)**

**Safe and approved storage of aggressive and flammable hazardous substances in working areas**

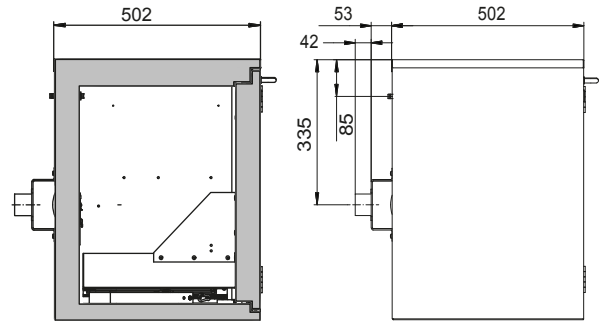
**Function / construction:**

- **Robust construction and longevity:** body made of powder-coated sheet steel
- **User-friendly:** access to all containers, 93° opening of the wing door, interior of the cabinet completely visible
- **No unauthorised use:** doors lockable with cylinder lock and locking state indicator (red/green)
- **Mobile:** castors with plinth (optionally available), easy moving of the cabinet
- **Ventilation:** integrated air ducts ready for connection (DN 50) to a technical exhaust system, extraction of both compartments through one ventilation connection

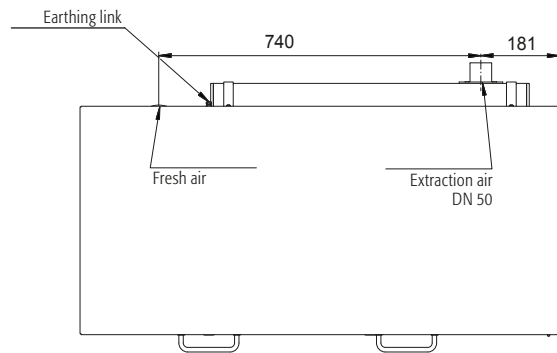
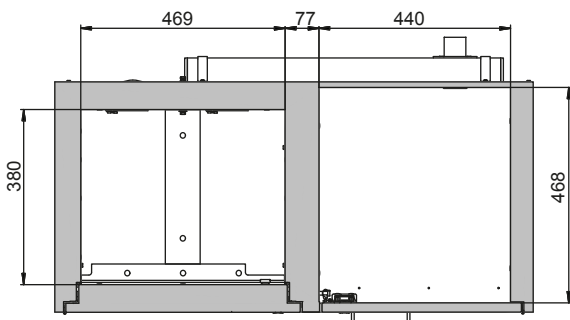
Front view



Side view



Top view





# WolfLabs

**Pricing on any accessories shown can be found by keying the part number into the search box on our website.**

The specifications listed in this brochure are subject to change by the manufacturer and therefore cannot be guaranteed to be correct. If there are aspects of the specification that must be guaranteed, please provide these to our sales team so that details can be confirmed.

**[www.wolflabs.co.uk](http://www.wolflabs.co.uk)**

**Tel : 01759 301142**

**Fax : 01759 301143**

**[sales@wolflabs.co.uk](mailto:sales@wolflabs.co.uk)**

Please contact us if this literature doesn't answer all your questions.