

**ID-Nr. 41429-047**  
**Model IO90.195.120.PS.WDC**



**Safety storage cabinet for lithium-ion batteries ION-PRO-90 Model IO90.195.120.PS.WDC, body colour anthracite grey (RAL 7016), with wing doors in gentian blue (RAL 5010)**

**Function / construction:**

- **Robust construction and longevity:** robust, high-quality, scratch-resistant outer body with powder-coated textured surface
- **Easy handling with comfort:** smooth doors with permanent self-closing function and oil-dampened door closer; open doors with a minimum amount of force
- Integrated potential-free alarm contact for strongly recommended alarm forwarding. Optionally available with relay module and module for remote signalling.
- **No unauthorised use:** doors lockable with cylinder locking (integration in an existing locking system possible) and locking state indicator (red/green). Permanent locking of the doors by automatic 3-point locking.
- **Integrated transport base:** In the event of an emergency, immediate evacuation and transport of the cabinet to a safe place outdoors.
- **Easy alignment:** adjusting aids to compensate for uneven floor
- Smoke detector and temperature sensor for fire detection and forwarding the alarm to the building management system.
- Pressure relief in the head section
- **All-around protection:** 90 minute fire protection from outside to inside (type 90 / type tested in accordance with EN 14470-1) and for more than 90 minutes fire resistance for fires from inside to outside
- LED display with visual and audible alarm for a quick indication of emergencies without opening the cabinet doors.

| Dimensions        |         |
|-------------------|---------|
| Width (external)  | 1193 mm |
| Depth (external)  | 615 mm  |
| Height (external) | 1953 mm |
| Width (internal)  | 1050 mm |
| Depth (internal)  | 503 mm  |
| Height (internal) | 1647 mm |

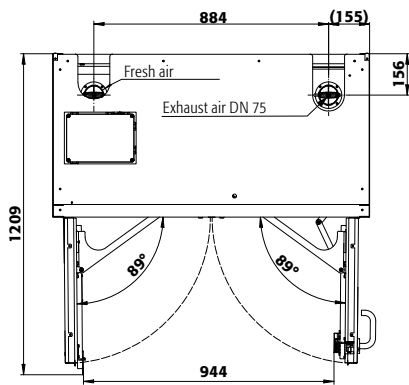
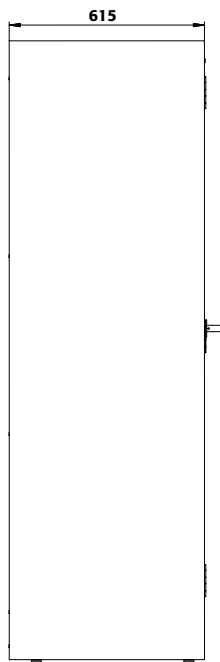
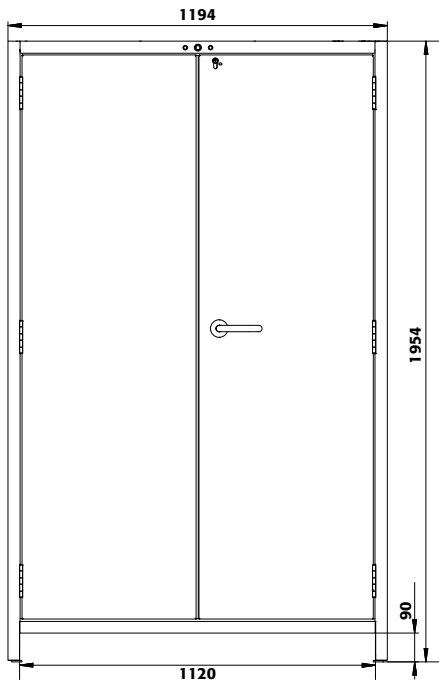
| Weight / Load            |                       |
|--------------------------|-----------------------|
| Net weight configuration | 484.00 kg             |
| Distributed load         | 563 kg/m <sup>2</sup> |
| Maximum load             | 600 kg                |

| Colouring / Surface finish   |                 |
|------------------------------|-----------------|
| Body colour code             | RAL 7016        |
| Body colour                  | anthracite grey |
| Body surface finish          | textured        |
| Door / Drawer colour code    | RAL 5010        |
| Door / Drawer colour         | gentian blue    |
| Door / Drawer surface finish | textured        |

| General Information         |            |
|-----------------------------|------------|
| Number of doors             | 2          |
| Door opening angle          | 89.50°     |
| Depth with open doors       | 1166.00 mm |
| Entry width transport base  | 1120 mm    |
| Entry height transport base | 90 mm      |
| Customs tariff number       | 94032080   |

Front view

Side view





# WolfLabs

**Pricing on any accessories shown can be found by keying the part number into the search box on our website.**

The specifications listed in this brochure are subject to change by the manufacturer and therefore cannot be guaranteed to be correct. If there are aspects of the specification that must be guaranteed, please provide these to our sales team so that details can be confirmed.

**[www.wolflabs.co.uk](http://www.wolflabs.co.uk)**

**Tel : 01759 301142**

**Fax : 01759 301143**

**[sales@wolflabs.co.uk](mailto:sales@wolflabs.co.uk)**

Please contact us if this literature doesn't answer all your questions.